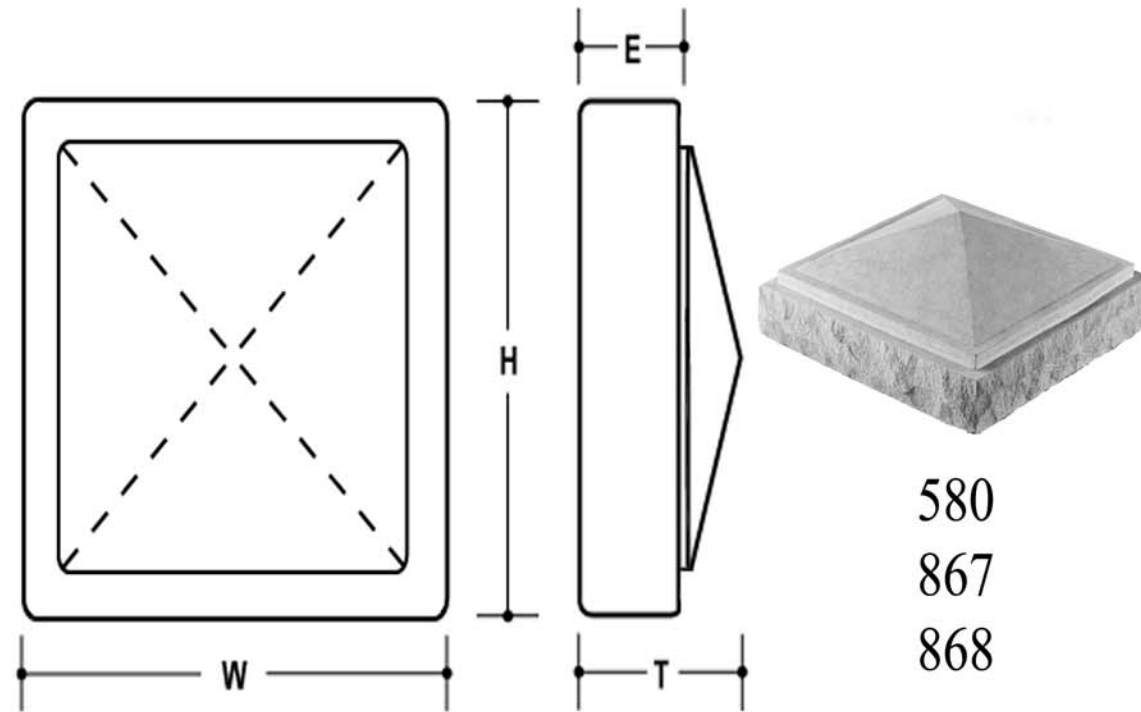


BEVELED COLUMN CAP [®]

by Centurion Stone



PATTERN DESCRIPTION AND DIMENSIONS

PATTERN	TEXTURE	CODE	THICKNESS	HEIGHT	WIDTH	EDGE
Beveled Column Cap	Chiseled top and edges, no step down on top	580	5"	20"	20"	2.5"
Beveled Column Cap	Smooth top and chiseled edges	867	9.5"	24"	24"	4"
Beveled Column Cap	Smooth top and chiseled edges	868	8.75"	28"	28"	4"

Packaging		Weights	
#	Pcs.	Skid	Pcs.
580	14	1065	71
867	1	265	225
868	1	340	300

Drawn By: Centurion Stone
 Date:
 Revised:
 Scale: NOT TO SCALE
 Checked by:
 Sheet: 1 of 1



50 Van Buren Street
 Nashville, TN 37208-1718
 Phone: 1-800-786-6352
 Fax: (615) 726-1795